

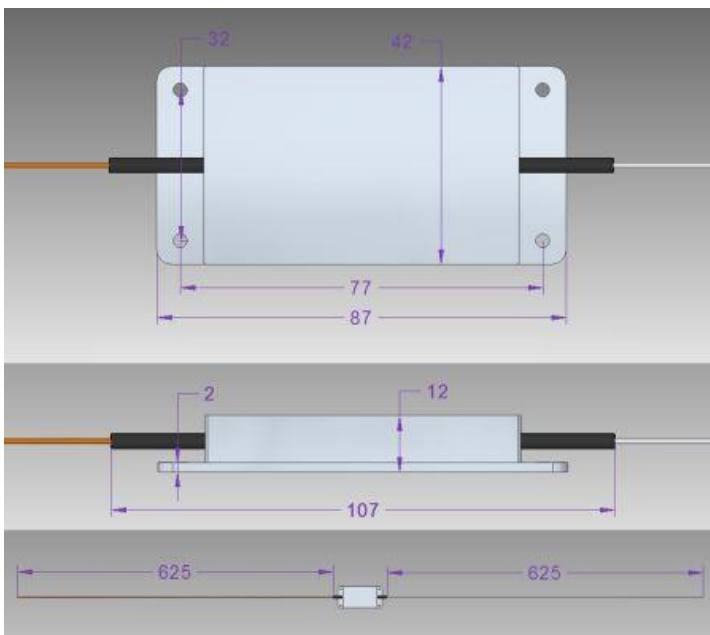


# MC-OEM-FC/FC- 62-500-S

## OEM Mode Controller

The **ModCon** Mode Controller is designed to ensure that whatever source you use to test the loss and bandwidth of your multimode optical fiber network, LED, Laser, OTDR or white light, you launch the same distribution of modes into the fiber. As a result you can eliminate the variations due to the widely different modal characteristics of the sources commonly used in fiber optic measurements and networks.

Part number	Description
MC-OEM-FC/FC-62-500-S	Mode controller in OEM style housing; 62.5/125µm fiber; tails 500mm long in 900µm buffer tubing; FC/PC connector on input; FC/PC connector on output



Technical specification	
<b>Physical</b>	
<b>Mass</b>	80g
<b>Dimensions (excluding cabling)</b>	87mm x 42mm x 12mm
<b>Input cable length</b>	500mm
<b>Output cable length</b>	500mm
<b>Input/output cable jacket</b>	900µm nylon loose tube
<b>Enclosure material</b>	Aluminium alloy
<b>Optical</b>	
<b>Insertion loss @ 850nm</b>	50µm < 3dB ; 62.5µm <3dB
<b>Encircled Flux compliance to</b>	IEC 61280-4-1: 2009
<b>Maximum power throughput</b>	10mW
<b>Connectors</b>	Reference grade

Arden Photonics, LLC  
 4500 140th Avenue North  
 Suite 101  
 Clearwater  
 FL 33762

Tel (727) 478-2651

Fax (727) 538 4237

email [enquiries@ardenphotonics.com](mailto:enquiries@ardenphotonics.com)